

Fisher & Paykel

Refrigerator/Freezer

RF540ADUSX4 FP EU

Product Code: 24197-A

Parts Manual

Brand:	Fisher & Paykel
Voltage:	220-240V, 50Hz
Model:	RF540ADUSX4 FP EU
Product Code:	24197-A

Models

- The model covered by this manual is listed on the front cover.
- The information detailed in this manual is subject to change without notice. The latest version is indicated by the reprint date and replaces any earlier editions.

Kit Parts

Kit components are shown in *italics*. Where a part number is shown against the descriptions for these kit components, they are also available as separate items. In addition, some parts may be supplied with these kits that are not available as separate items, and are therefore either not listed, or a part number is not shown against the part description in this manual.

Parts List Key

<i>italics</i>	Kit components or parts included are shown in italics. Refer to above notes: Kit Parts.
NI	As a part reference, indicates the part is not illustrated on the diagram.
NOT USED	As a part number, indicates the diagram part reference is not used in this manual.

DOORS PC ASSEMBLIES & COMPONENTS	4
WATER DISPENSER HOUSING & MODULE CONTROL	8
DRAWER FC ASSEMBLY & FITTINGS	10
CABINET INTERIOR & EXTERIOR FITTINGS	12
CABINET INTERIOR COMPONENTS	16
ICEMAKER COMPONENTS & ICE BIN	18
FANS, COVERS & EVAPORATOR ASSEMBLIES	20
WATER TANK & DUCT COVERS	22
TERMINAL PLUG & SOCKET COMPONENTS	24
COMPRESSOR, ANCILLARY COMPONENTS & CONTROL MODULE	26

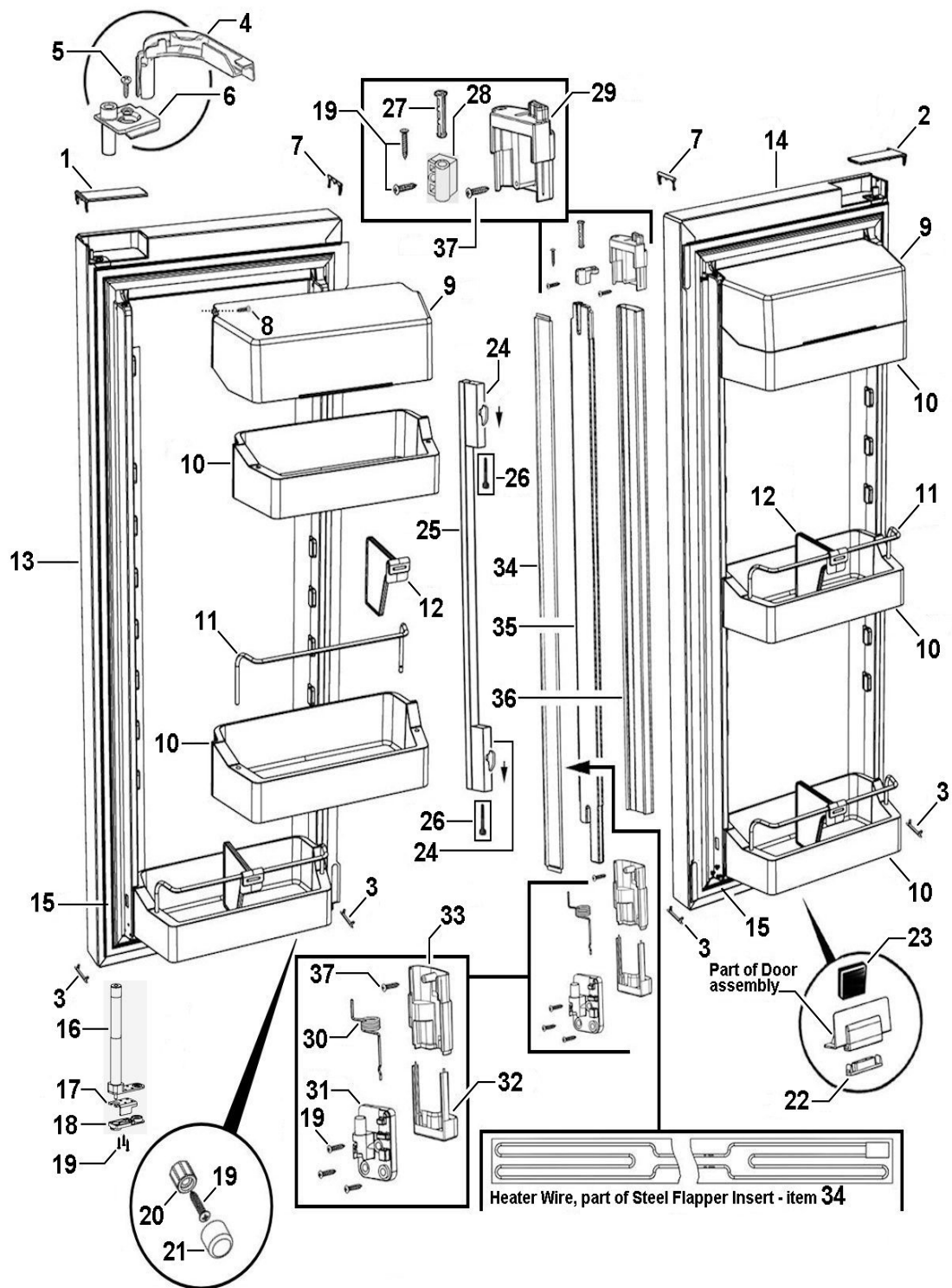
Fisher & Paykel Appliances Ltd UK
Maidstone Road
Kingston
Milton Keynes
Buckinghamshire
MK10 0BD
England

Fisher & Paykel Appliances
Unit D2
North Dublin Corporate Park
Swords
Co Dublin
Ireland

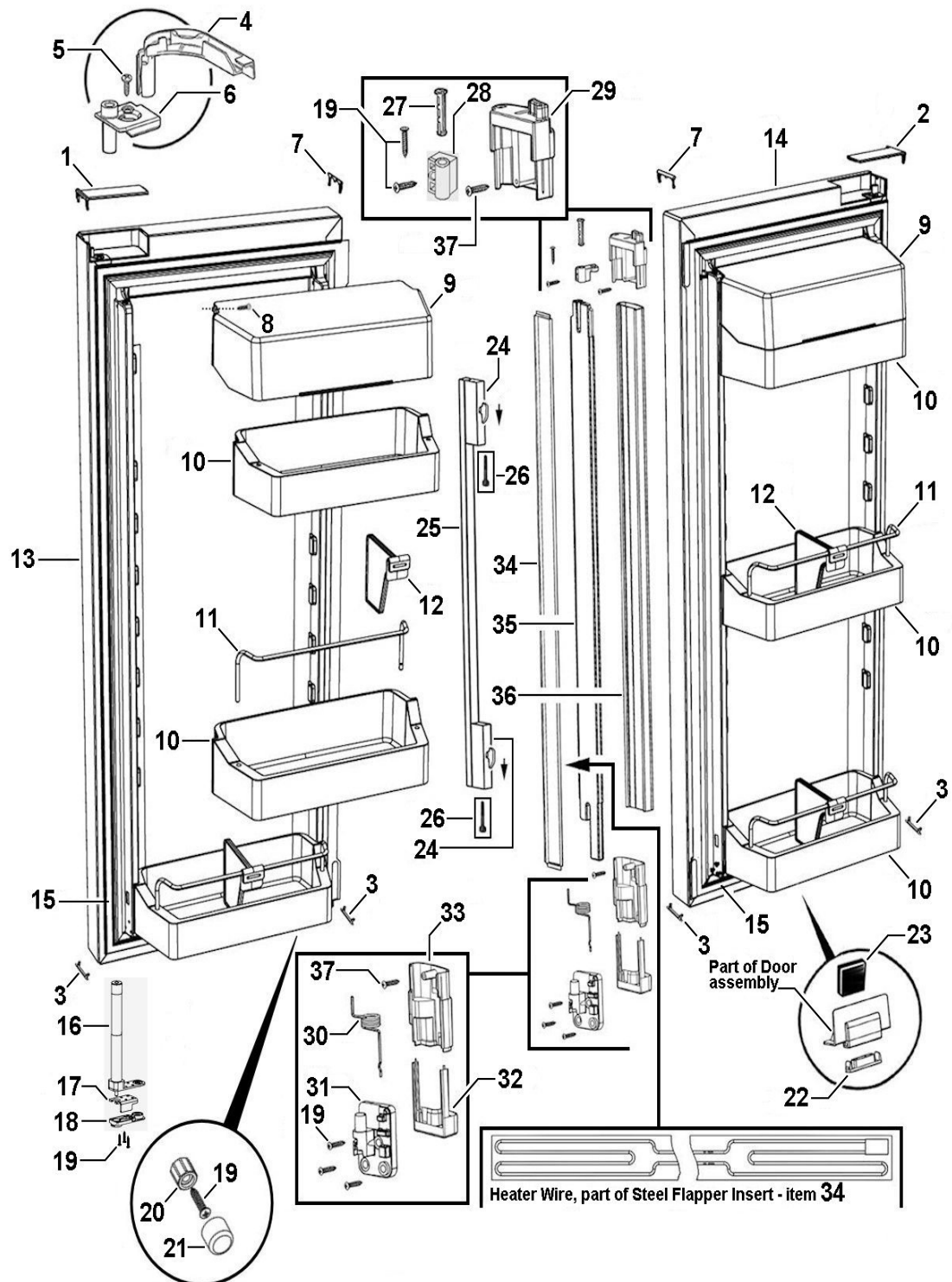
tel: 0845 066 2200
fax: 0845 331 2360

Telephone: 1800 625 174
Facsimile: 1800 635 012

4 DOORS PC ASSEMBLIES & COMPONENTS

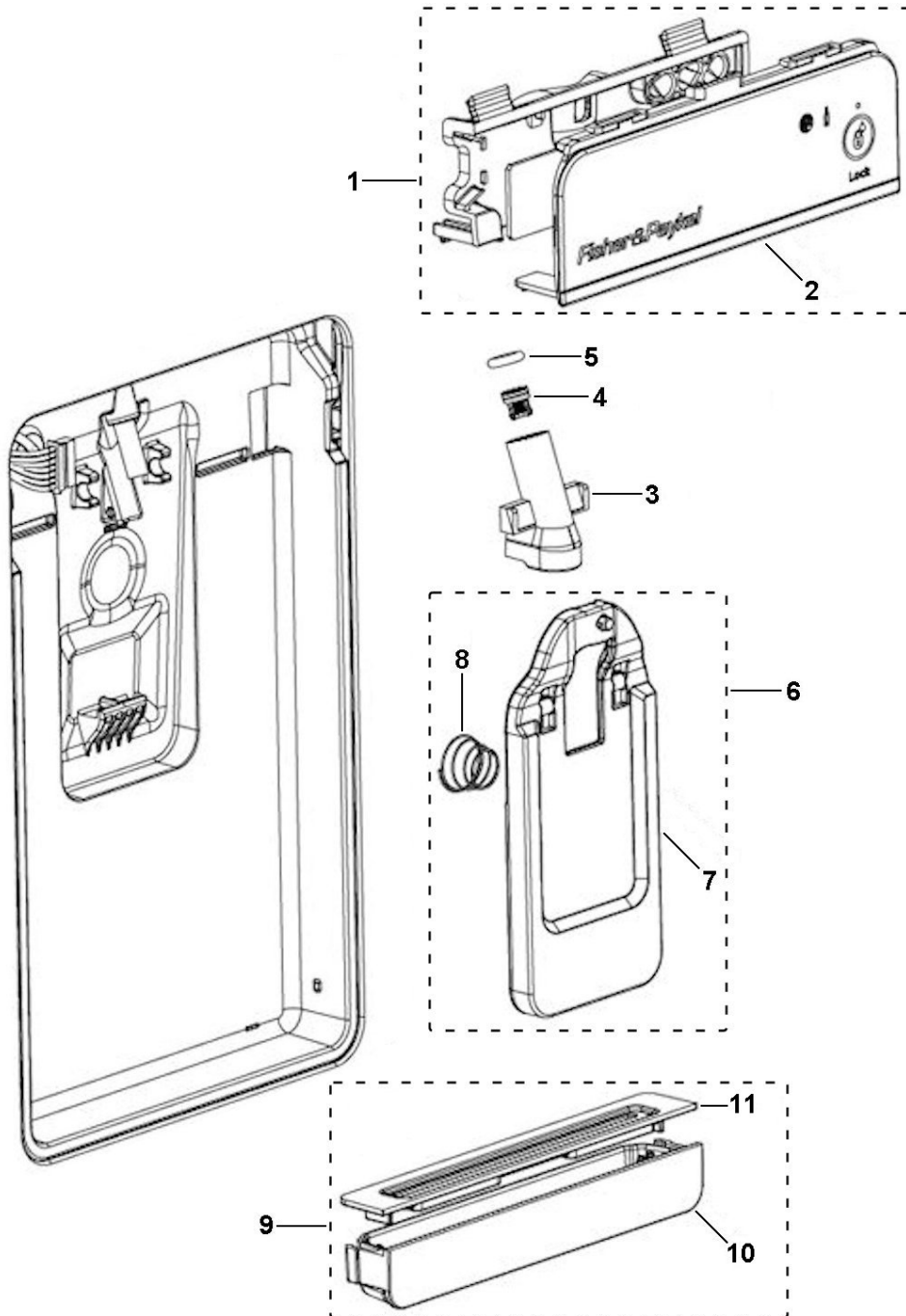


REF.	PART NUMBER	PART DESCRIPTION
1	820801	COVER DOOR HINGE RH
2	820957	COVER DOOR HINGE LH
3	813926	TRIM CORNER DOOR FLAT
4	820715	GUIDE TUBE DOOR RH
	820862	GUIDE TUBE DOOR LH
5	836948P	SCREW 6X1/2 PAN PH SS (PKT 10)
6	820845	BEARING HINGE WATER RH
	820958	BEARING HINGE WATER LH
7	860419	TRIM DOOR DESIGNER X
8	876281P	PLUG DOOR SHELF WHITE (PKT 2)
9	837036	COVER DAIRY 900
10	836993	SHELF DOOR 900
11	818860	RAIL BOTTLE SUPPORT 900
12	837079	DIVIDER BOTTLE 900
13	821965P	DOOR PC 445X1130 FU4AS SX RH
	<i>Includes 813926</i>	<i>TRIM CORNER DOOR FLAT (2)</i>
	<i>Includes 860419</i>	<i>TRIM DOOR DESIGNER X</i>
	<i>Includes 883315</i>	<i>MAGNET DOOR SWITCH ST4</i>
	<i>Includes 820845</i>	<i>BEARING HINGE WATER RH</i>
	<i>Includes 813928</i>	<i>COVER MAGNET DOOR FLAT</i>
	<i>Includes 820801</i>	<i>COVER DOOR HINGE RH</i>
14	821966P	DOOR PC 445X1130 FAS SX LH
	<i>Includes 813926</i>	<i>TRIM CORNER DOOR FLAT (2)</i>
	<i>Includes 860419</i>	<i>TRIM DOOR DESIGNER X</i>
	<i>Includes 883315</i>	<i>MAGNET DOOR SWITCH ST4</i>
	<i>Includes 820958</i>	<i>BEARING HINGE WATER LH</i>
	<i>Includes 813928</i>	<i>COVER MAGNET DOOR FLAT</i>
	<i>Includes 820957</i>	<i>COVER DOOR HINGE LH</i>
15	819036P	GASKET ASSY 900 PC 430X1073 LTGY
16	821438	SOFTCLOSE DOOR IR1 RH
	821439	SOFTCLOSE DOOR IR1 LH
17	821442	STOP DOOR SC RH
	821443	STOP DOOR SC LH
18	821444	BEARING DOOR SC
19	817825P	SCREW 8X22 WAFER PHIL ST TV (PKT 10)
20	837903	BOBBIN STOP SOFTCLOSE
21	837904	SLEEVE STOP SOFTCLOSE
22	813928	COVER MAGNET DOOR FLAT
23	883315	MAGNET DOOR SWITCH ST4
24	860795P	BOSS HANDLE FLAT PKD
25	820584	HANDLE D3 642 RF ASSY BRUSHED
	<i>Includes 819646</i>	<i>SCREW M5X40 CAP (2)</i>

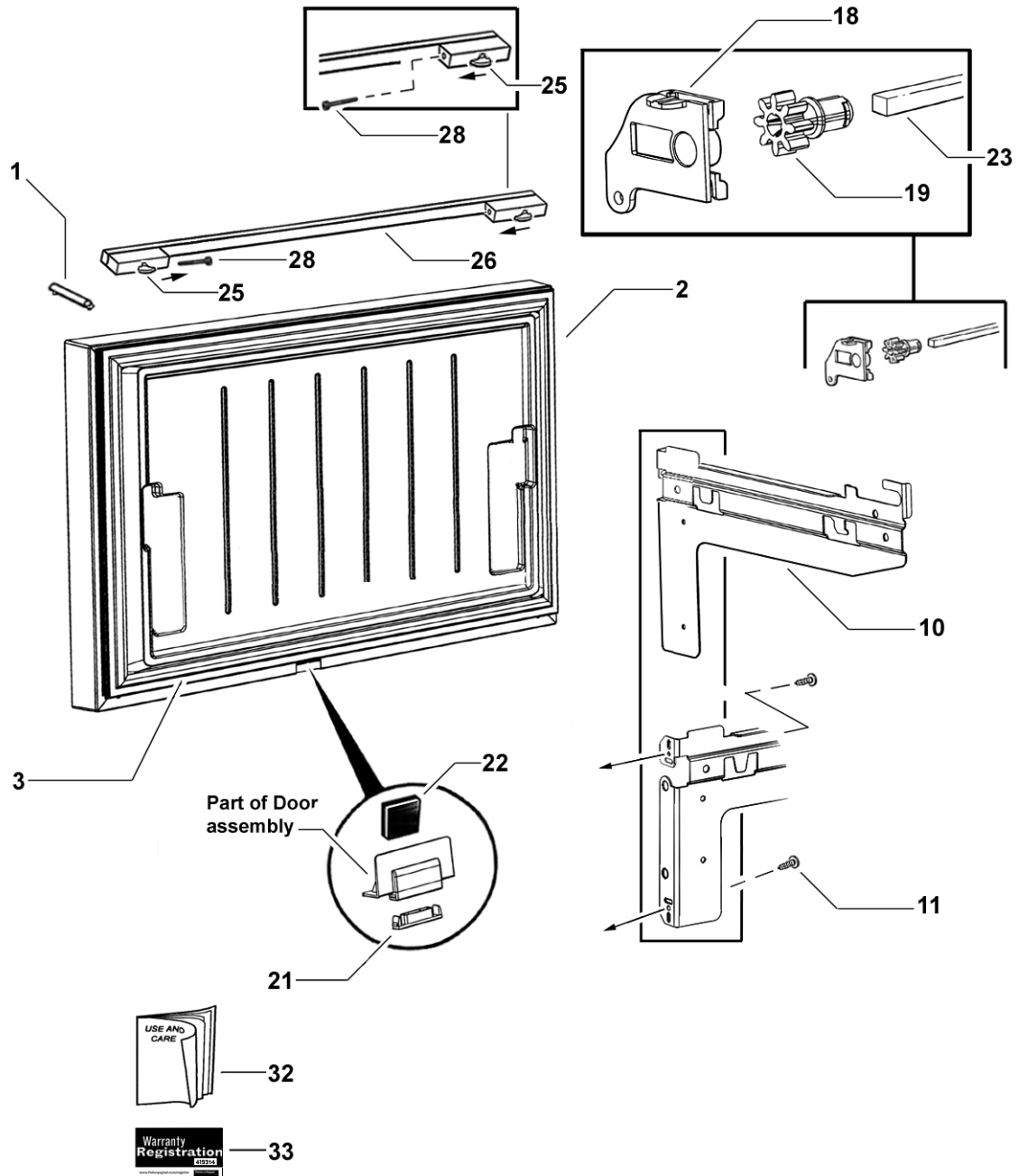


REF.	PART NUMBER	PART DESCRIPTION
26	819646P	SCREW M5X40 CAP (PKT 10)
27	837014	PIN FLAPPER TOP
28	837039	HINGE FLAPPER TOP
29	837013	ENDCAP FLAPPER TOP
30	837048	SPRING FLAPPER
31	837049	HINGE FLAPPER BOTTOM
32	837050	CAP FLAPPER BOTTOM
33	837038	ENDCAP FLAPPER BOTTOM
34	838291P	INSERT STEEL FLAPPER & HEATER 8W
35	837042	INSULATION FLAPPER
36	837015	BODY FLAPPER 900
37	611933P	SCREW 8X5/8 TA MTS PH H5 ZN (PKT 10)

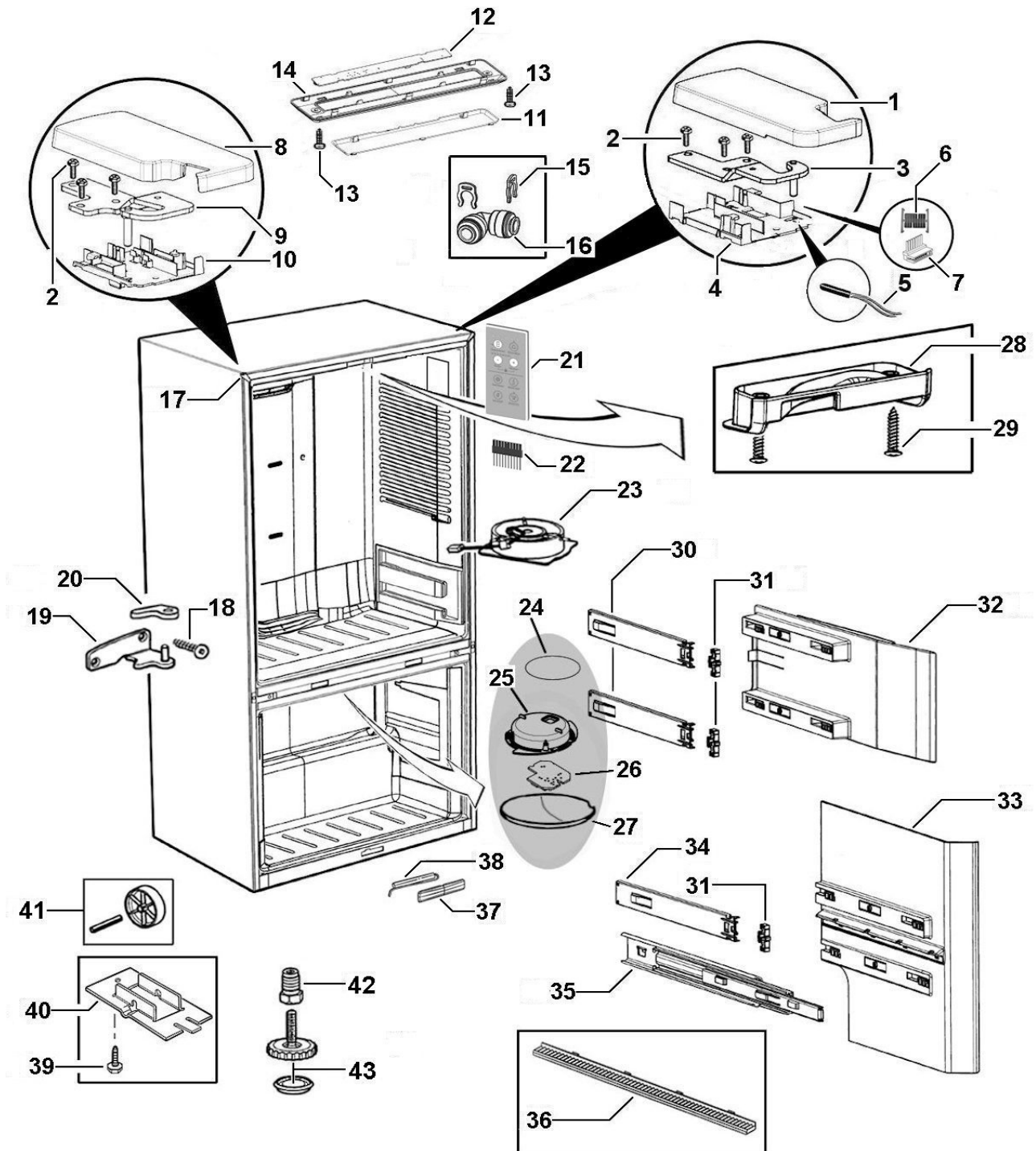
8 WATER DISPENSER HOUSING & MODULE CONTROL



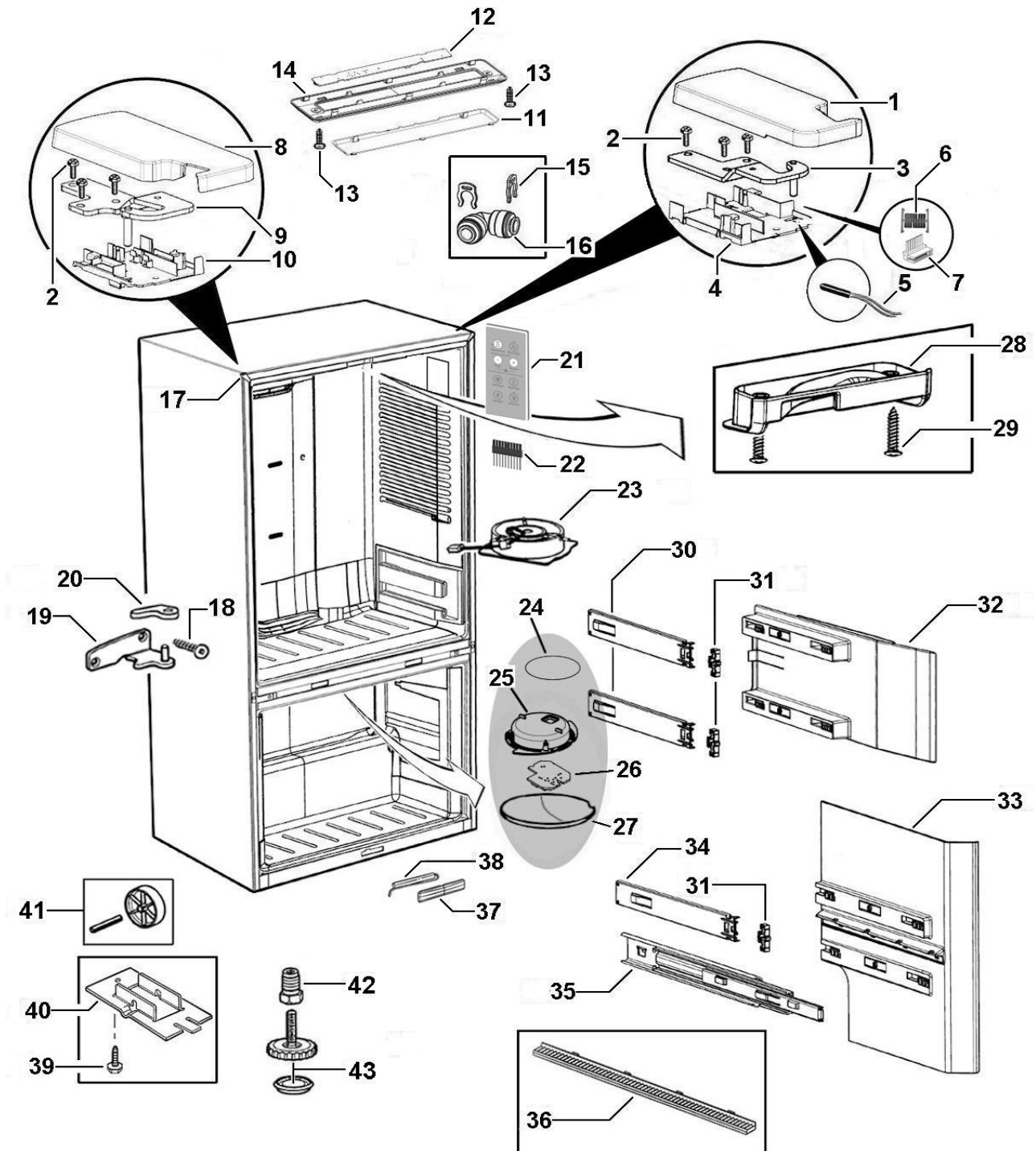
REF.	PART NUMBER	PART DESCRIPTION
1	821509P	MOD DISP AS U2 EXT SVC
	<i>Includes 821293</i>	<i>FASICA IML WATER DISPENSER</i>
2	821293	FASICA IML WATER DISPENSER
3	838115	SPIGOT ASSY WATER DISPENSER
	<i>Includes 837391</i>	<i>CHECK VALVE SPIGOT WATER</i>
	<i>Includes 837390</i>	<i>ORING SPIGOT WATER DISPENSER</i>
4	837391	CHECK VALVE SPIGOT WATER
5	837390	ORING SPIGOT WATER DISPENSER
6	838114	LEVER ASSY WATER DISPENSER
	<i>Includes 821579</i>	<i>LEVER WATER DISPENSER</i>
	<i>Includes 821883</i>	<i>SPRING LEVER WATER DISPENSER</i>
7	821579	LEVER WATER DISPENSER
8	821883	SPRING LEVER WATER DISPENSER
9	838113	TRAY DRIP ASSY WATER DISPENSER
	<i>Includes 821582</i>	<i>DRIP TRAY CONTAINER</i>
	<i>Includes 821583</i>	<i>DRIP TRAY LID</i>
10	821582	DRIP TRAY CONTAINER
11	821583	DRIP TRAY LID



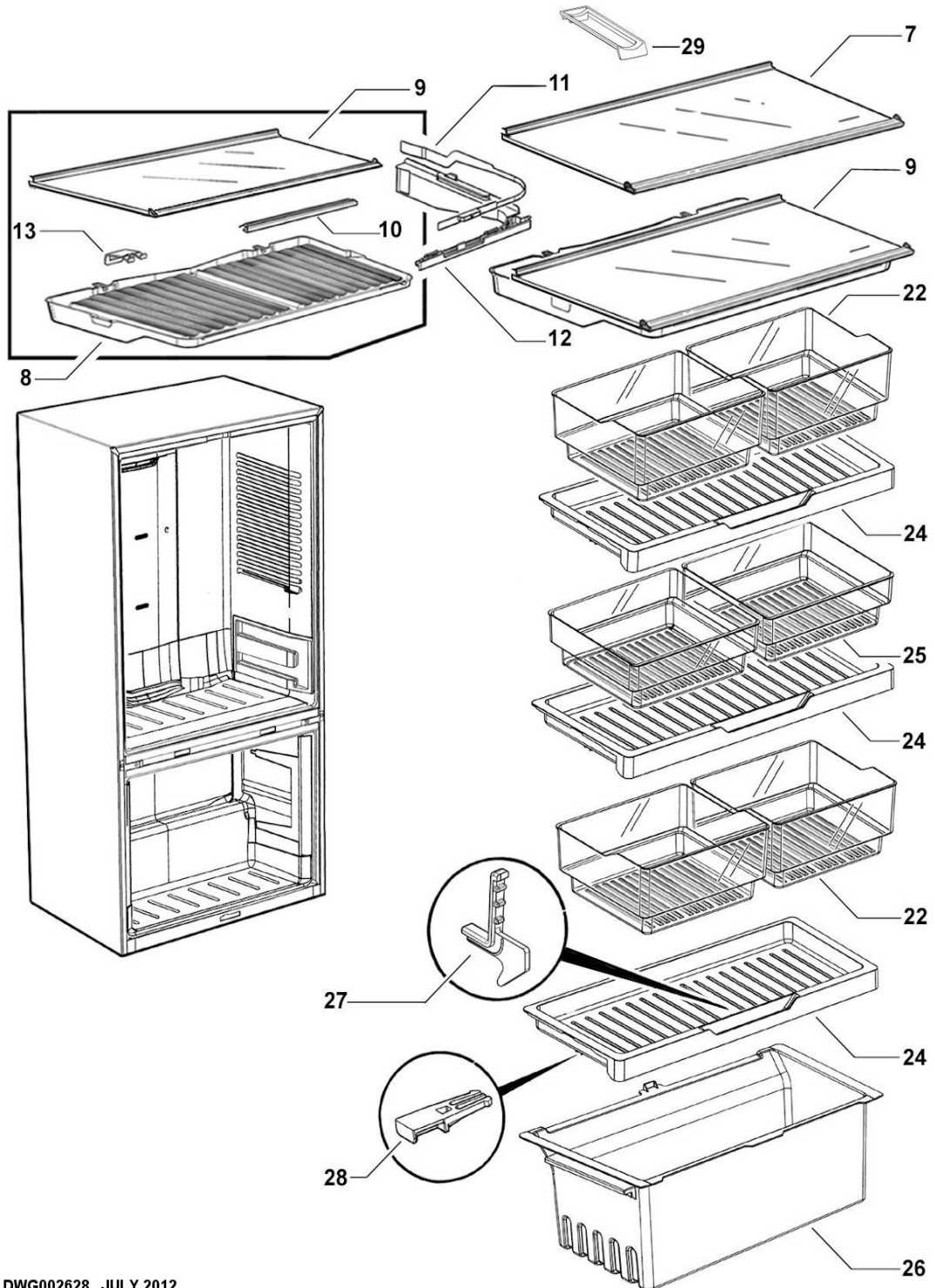
REF.	PART NUMBER	PART DESCRIPTION
1	813926	TRIM CORNER DOOR FLAT
2	374046P	DRAWER FC 900X613 F SX P
	<i>Includes 813928</i>	COVER MAGNET DOOR FLAT
	<i>Includes 883315</i>	MAGNET DOOR SWITCH ST4
	<i>Includes 860795</i>	BOSS HANDLE FLAT (2)
3	819831P	GASKET FRAME E610 FC
10	837233	BRACKET DOOR FC RH
	837234	BRACKET DOOR FC LH
11	817825P	SCREW 8X22 WAFER PH ST TV (PKT 10)
18	837010	BRACKET MOUNT PINION FC RH
	837011	BRACKET MOUNT PINION FC LH
19	838502P	PINION ANTIRACK FC (2)
21	813928	COVER MAGNET DOOR FLAT
22	883315	MAGNET DOOR SWITCH ST4
23	837002	BAR ANTI RACKING 900 FC
25	860795P	BOSS HANDLE FLAT PKD
26	820585	HANDLE D3 820 RF ASSY BRUSHED
	<i>Includes 819646</i>	SCREW M5X40 CAP (2)
28	819646P	SCREW M5X40 CAP (PKT 10)
32	838360	BOOK U&C AA/GB/AE/HK/SG/IE/EU
33	NOT USED	ITEM NOT USED IN THIS MODEL



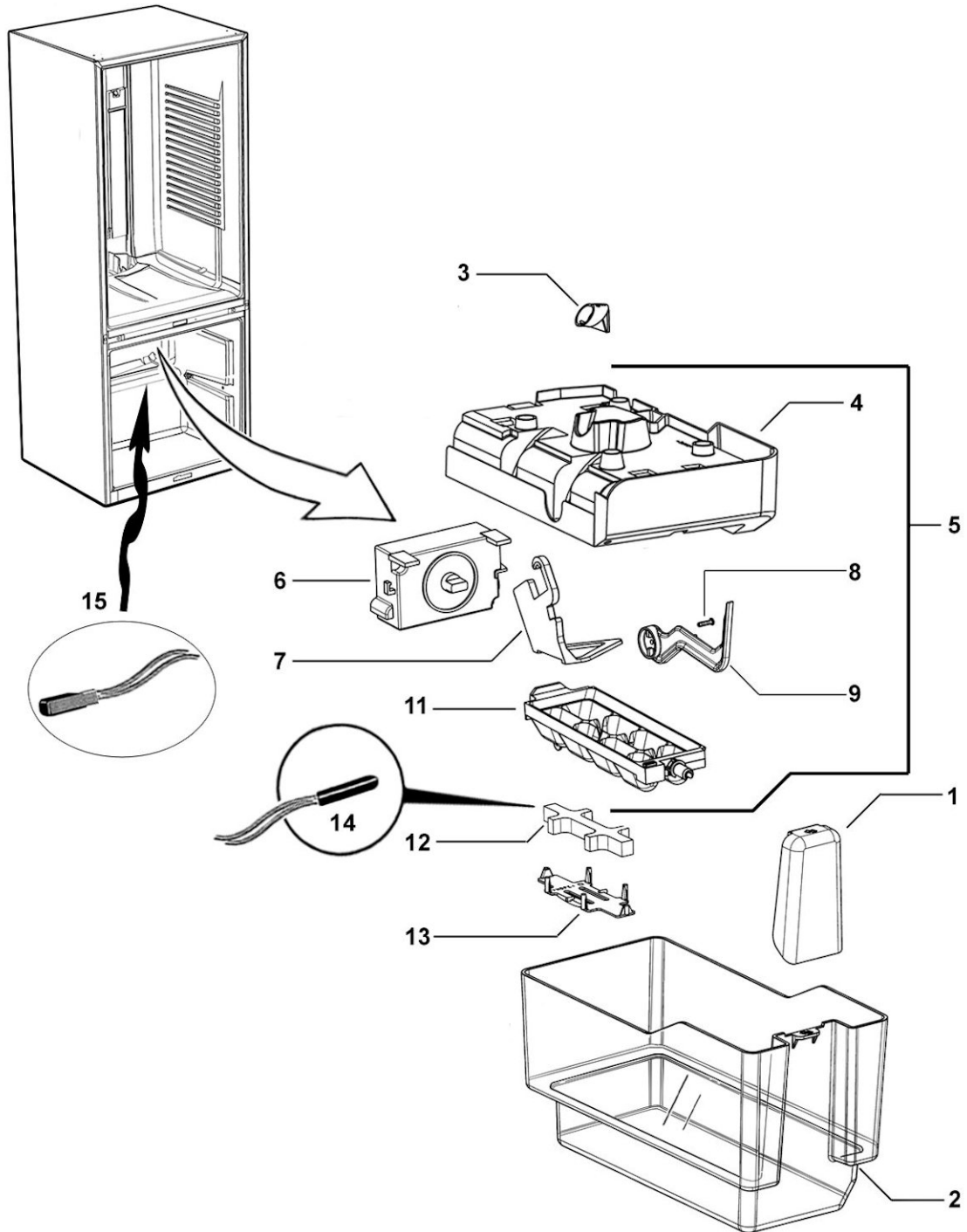
REF.	PART NUMBER	PART DESCRIPTION
1	820647	COVER HINGE TOP IW RH
2	817818P	SCREW M5X20 HEX PH ST TV (PKT 10)
3	820652	BRACKET HINGE IW RH ASSY
4	821943	SUPPORT HINGE TOP RH
5	855203P	SENSOR KIT ASSY
	<i>Includes</i>	<i>CONNECTOR BUTT</i>
	<i>Includes</i>	<i>HARNESS SENSOR PC</i>
6	821917	CONNECTOR PCB RAST 8 WAY
7	873279	CONNECTOR RAST 7234-008-500
8	820860	COVER HINGE TOP IW LH
9	820861	BRACKET HINGE IW LH ASSY
10	821944	SUPPORT HINGE TOP LH
11	820737	WINDOW LED PC
12	838548	MOD LAMP 3 LED 3W CONN
	<i>Includes 820736</i>	<i>HOUSING FRONT LED PC</i>
13	817816P	SCREW 6 X12 AB TRUSS PH ST TV
14	820736	HOUSING FRONT LED PC
15	837193P	COLLET LOCKING CLIP PIC1808R (PKT 2)
16	837192	CONNECTOR WATER ELBOW C 0308W
17	883951	TRIM CORNER SILVER RECESSED
18	880656P	SCREW 10GX25CSK SQ SS (PKT 10)
19	821446	BRACKET HINGE SC RH ASSY
	821447	BRACKET HINGE SC LH ASSY
20	NOT USED	ITEM NOT USED ON THIS MODEL
21	821286P	MOD DISP AS U2 INT 8 BUT SVC
22	838437	HARNESS DISPLAY SPARES
23	821183P	PC FAN ASSY JST/DUCT
	<i>Includes</i>	<i>DUCT JUNCTION ASSY</i>
	<i>Includes</i>	<i>INSULATION DISPLACEMENT TERMINALS</i>
	<i>Includes</i>	<i>CONNECTOR IDC UP2 (2)</i>
	<i>Includes</i>	<i>LABEL WARNING 12 VOLT DC</i>
	<i>Includes</i>	<i>SHEET INSTRUCTION PC FAN ASSY</i>
24	873394	GASKET FOAM LIGHT
25	820733	SINGLE LED HOUSING
26	820732P	MOD LAMP AS SGL LED ROHS
27	875318	COVER LAMP PC 42
28	837096	TRACK FLAPPER CABINET
29	837140P	SCREW 8X22 WAFER PH SS (PKT 10)
30	836700	SLIDE 305 RH ASSEMBLY RC
	<i>Includes 836520P</i>	<i>CLIP SLIDE</i>
	836701	SLIDE 305 LH ASSEMBLY RC
	<i>Includes 836520P</i>	<i>CLIP SLIDE</i>
31	836520P	CLIP SLIDE (PKT 2)



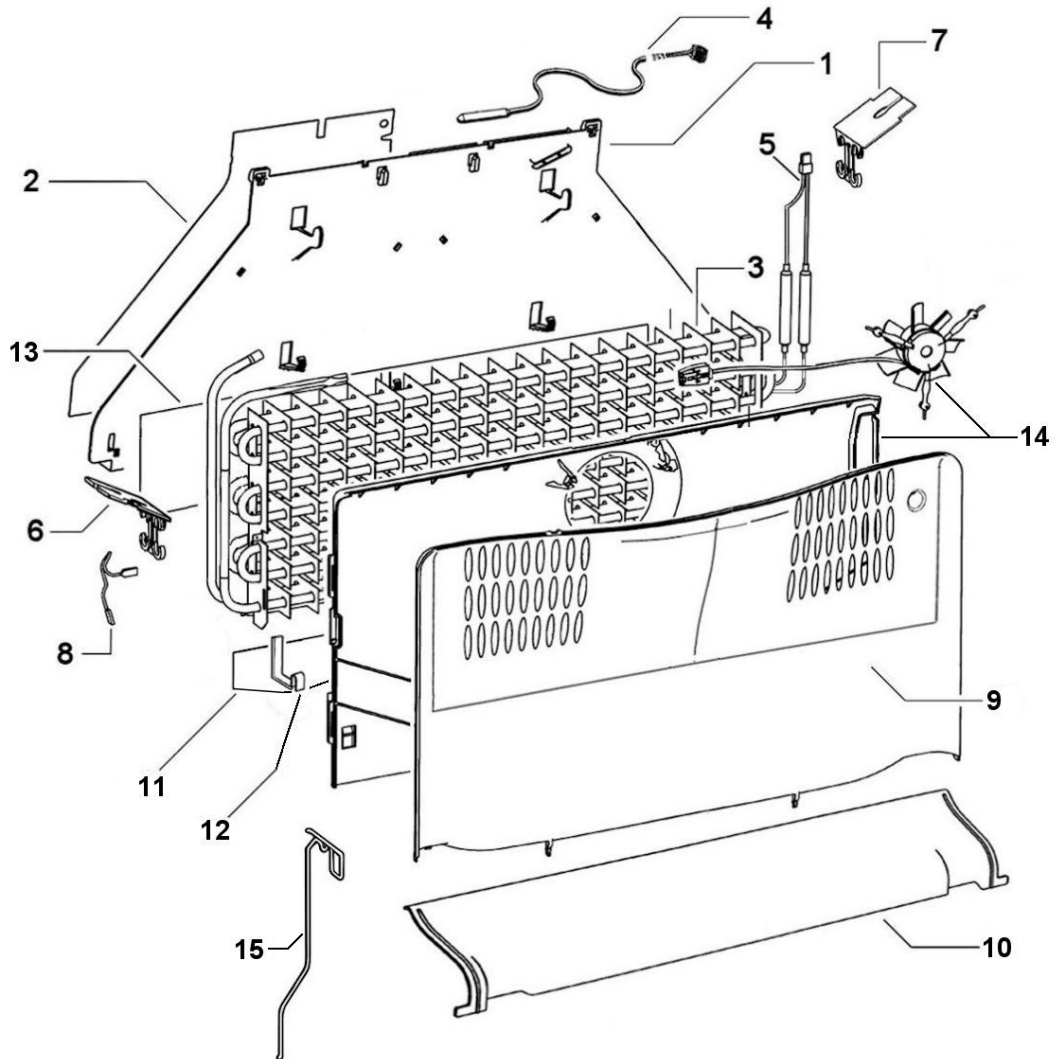
REF.	PART NUMBER	PART DESCRIPTION
32	836996	RETAINER SLIDE PC 900 RH
	836997	RETAINER SLIDE PC 900 LH
33	836998	RETAINER SLIDE FC 900 RH
	836999	RETAINER SLIDE FC 900 LH
34	836702	SLIDE 355 RH ASSY RC
	<i>Includes 836520P</i>	<i>CLIP SLIDE</i>
	836703	SLIDE 355 LH ASSY RC
	<i>Includes 836520P</i>	<i>CLIP SLIDE</i>
35	838200	SLIDE DRAWER FC MAIN RH
	838199	SLIDE DRAWER FC MAIN LH
36	837047	TRACK ANTI RACKING FC
37	884011	COVER REED SWITCH ST4 SILVER
38	814443P	SWITCH REED FIELD FIX KIT ST4
39	817834P	SCREW 8X16 HEX WA PH TV MGPH RC (PKT 10)
40	818843	RETAINER WHEEL STEEL
41	315090P	KIT WHEEL BRACKET CLIP
	<i>Includes</i>	<i>PIN ROLLER PLATED</i>
	<i>Includes</i>	<i>ROLLER FOOT FRONT</i>
	<i>Includes</i>	<i>CLIP WHEEL BRACKET</i>
42	813481	BOLT BLIND END HINGE BRACKET
43	818535	FOOT LEVELLING ASSEMBLY RC
	<i>Includes</i>	<i>WHEEL LEVELLING FOOT ASSY</i>
	<i>Includes</i>	<i>BASE LEVELLING FOOT</i>



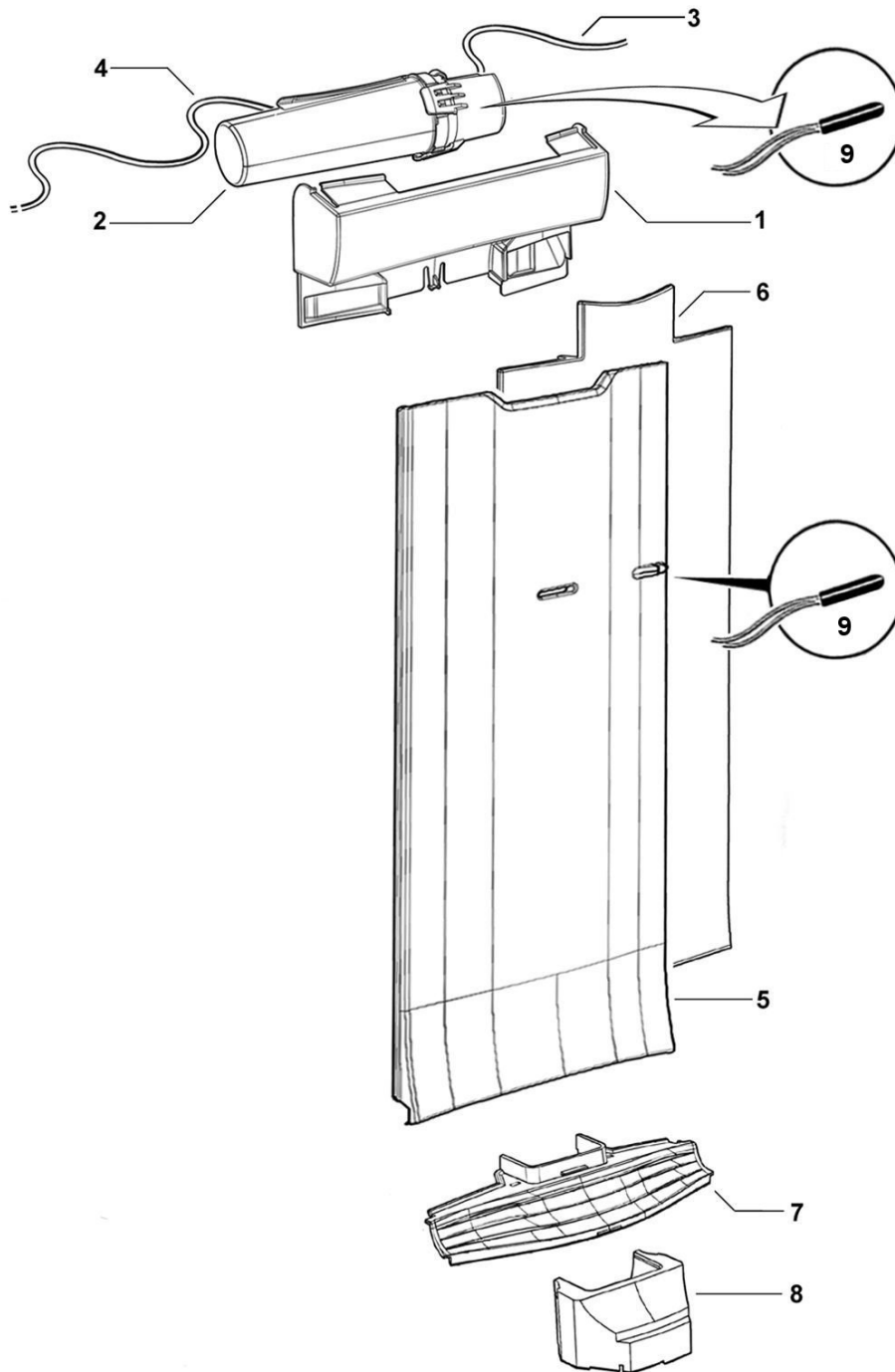
REF.	PART NUMBER	PART DESCRIPTION
7	837117P	SHELF GLASS PC 900 ASSY SC (2)
	<i>Includes 836569</i>	<i>PLUG STIFFENER SHELF RH</i>
	<i>Includes 836570</i>	<i>PLUG STIFFENER SHELF LH</i>
	<i>Includes 836567</i>	<i>PLUG TRIM SHELF RH</i>
	<i>Includes 836568</i>	<i>PLUG TRIM SHELF LH</i>
	<i>Includes</i>	<i>TRIM SHELF PC 900 SC</i>
	<i>Includes</i>	<i>STIFFENER SHELF PC 900 SC</i>
8	836978	LID HUMIDITY CONTROL 900
9	837116P	SHELF GLASS HCL 900B ASSY SC (1)
	<i>Includes 836569</i>	<i>PLUG STIFFENER SHELF RH</i>
	<i>Includes 836570</i>	<i>PLUG STIFFENER SHELF LH</i>
	<i>Includes 836567</i>	<i>PLUG TRIM SHELF RH</i>
	<i>Includes 836568</i>	<i>PLUG TRIM SHELF LH</i>
	<i>Includes 837104</i>	<i>RETAINER HCL FRONT 900 464MM</i>
	<i>Includes</i>	<i>TRIM SHELF HCL 900 SC</i>
	<i>Includes</i>	<i>STIFFENER SHELF PC 900 SC</i>
	<i>Includes 881268</i>	<i>BRACKET HCL SUPPORT B GL SH (2)</i>
	<i>Includes 836978</i>	<i>LID HUMIDITY CONTROL 900</i>
	<i>Includes 836631</i>	<i>SLIDE CONTROL HUMIDITY RH</i>
	<i>Includes 836633</i>	<i>SLIDE CONTROL HUMIDITY LH</i>
	<i>Includes 836632</i>	<i>GUIDE CONTROL HUMIDITY RH</i>
	<i>Includes 836634</i>	<i>GUIDE CONTROL HUMIDITY LH</i>
10	837104	RETAINER HCL FRONT 900 464MM
11	836631	SLIDE CONTROL HUMIDITY RH
	836633	SLIDE CONTROL HUMIDITY LH
12	836632	GUIDE CONTROL HUMIDITY RH
	836634	GUIDE CONTROL HUMIDITY LH
13	881268	BRACKET HCL SUPPORT B GL SH
22	836971	BIN MEDIUM 900
24	836973	TRAY SLIDING 900
25	836970	BIN SMALL 900
26	836995	BIN FC 900
27	819416	HOOK TRAY TO BIN
28	837040	RETAINER SLIDE TRAY
29	860593	BOTTLE HOLDER SINGLE



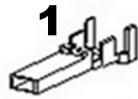
REF.	PART NUMBER	PART DESCRIPTION
1	836929	SCOOP ICE
2	837030	BIN ICE 900
3	836936	SPIGOT FILL ICE MAKER
4	836915	HOUSING ICE MAKER
5	820833P	ICEMAKER ASSY LARGE
	<i>Includes 820841</i>	<i>ICE TRAY AUTO LARGE</i>
	<i>Includes 836910</i>	<i>LEVER GEAR BOX ICE</i>
	<i>Includes 836915</i>	<i>HOUSING ICE MAKER</i>
	<i>Includes 836934</i>	<i>GEARBOX ICE MAKER</i>
	<i>Includes 836948</i>	<i>SCREW 6X12 PAN PH SS</i>
6	836934	GEARBOX ICE MAKER
7	836912	LEVER BIN DETECT
8	836948P	SCREW 6X1/2 PAN PH SS (PKT 10)
9	836910	LEVER GEAR BOX ICE
11	820841	ICE TRAY AUTO LARGE
12	836909	FOAM CLIP SENSOR
13	837180	CLIP SENSOR ICE TRAY
14	321107	ICE MAKER SENSOR LEAD WIRE KIT
	<i>Includes</i>	<i>SENSOR THERMISTOR ICE MAKER</i>
	<i>Includes</i>	<i>CONNECTOR IDC UY2 – 3MS</i>
15	821689P	ICE FILL TUBE HEATER KIT MK2



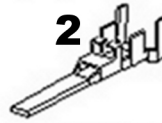
REF.	PART NUMBER	PART DESCRIPTION
1	814475	CHASSIS EVAP 790B
2	884315	DEFLECTOR HEAT 790B
3	837336P	EVAP ASSY 790B 230V DP
	<i>Includes</i>	<i>EVAPORATOR FINNED 790 R600A</i>
	<i>Includes 814475</i>	<i>CHASSIS EVAP 790B</i>
	<i>Includes 814713</i>	<i>SHIELD EVAP CHASSIS 790B</i>
	<i>Includes 884315</i>	<i>DEFLECTOR HEAT 790B</i>
	<i>Includes 821077</i>	<i>HEATER DEFROST DBLE 230V 790</i>
	<i>Includes 820604</i>	<i>CLIP EVAP BAFFLE</i>
	<i>Includes 813992</i>	<i>CLIP ACTIVE SMART BAFFLE</i>
	<i>Includes 820835</i>	<i>CLIP DEFROST HEATER B SHORT (2)</i>
	<i>Includes 814460</i>	<i>HARNESS EARTH 100MM</i>
	<i>Includes 821255</i>	<i>CABLE TIE 200MMX3.6</i>
4	855203P	SENSOR KIT ASSY ACTV SM
	<i>Includes</i>	<i>HEATSHRINK 25MM</i>
	<i>Includes</i>	<i>HARNESS SENSOR PC</i>
	<i>Includes</i>	<i>CONNECTOR BUTT (2)</i>
	<i>Includes</i>	<i>SHEET INSTRUCTN BUTT CONNECTORS</i>
5	821877	HEATER DEFROST DBLE 230V 790
NI	821745	COVER PLUG TYCO
6	813992	CLIP ACTIVE SMART BAFFLE
7	820604	CLIP EVAP BAFFLE
8	814460	HARNESS EARTH 100MM
9	873395	COVER FAN FC FRONT E790B
10	836595	DUCT RETURN AIR FC 790
11	883783	SHIELD FC REAR COVER 790
12	820835	CLIP DEFOST HEATER B SHORT
13	814713	SHIELD EVAP CHASSIS
14	306096P	FAN FC KIT 790 SERIES A to C
	<i>Includes 880279</i>	<i>SHIELD HEATER FC COVER 790</i>
	<i>Includes</i>	<i>COVER FAN FC REAR 790</i>
	<i>Includes</i>	<i>CONNECTOR IDC UP2 (2)</i>
	<i>Includes</i>	<i>LABEL WARNING 12 VOLT DC</i>
	<i>Includes</i>	<i>FAN DC SUSPENDEED FC ASSY</i>
15	821251	WIRE DRAIN HEATER DOUBLE B



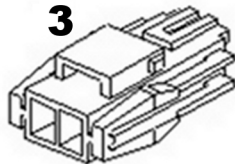
REF.	PART NUMBER	PART DESCRIPTION
1	836849	COVER DUCT TOP WATER
2	836846	TANK DISPENSER ASSEMBLY
	<i>Includes</i>	<i>CAP TANK DISPENSER</i>
	<i>Includes</i>	<i>BASE TANK DISPENSER</i>
	<i>Includes</i>	<i>BAFFLE TANK DISPENSER</i>
3	836857	TUBE FILTER WATER 1/4 OD 4M WH
4	837139	TUBE WATER TANK INLET 900
5	837020	COVER DUCT PC 900B
6	837021	INSULATION COVER DUCT 900B
7	813287	GRILLE PC RETURN AIR B MODEL
8	872823	INSULATION INSERT PID
9	855203P	SENSOR KIT ASSY ACTV SM
	<i>Includes</i>	<i>HARNESS SENSOR THERMISTOR PC</i>
	<i>Includes</i>	<i>CONNECTOR BUTT (2)</i>



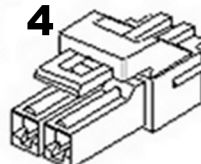
1
JST SOCKET TERMINAL



2
JST PIN TERMINAL



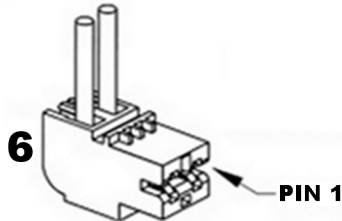
3
JST SOCKET



4
JST PLUG

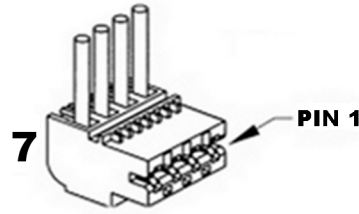


5
JST RETAINER



6
RAST CONNECTOR

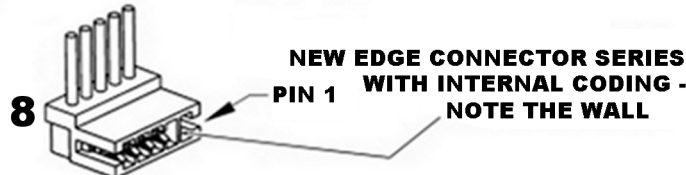
PIN 1



7
RAST CONNECTOR

PIN 1

NOTE THAT IN THE PART NAMES OF THESE CONNECTORS, THE -02- REFERS TO IT BEING A 2 WAY CONNECTOR, AND THE -AB01-(FOR EXAMPLE) REFERS TO THE CODING OF THE CONNECTOR.

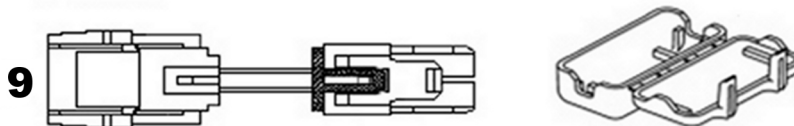


8
RAST CONNECTOR

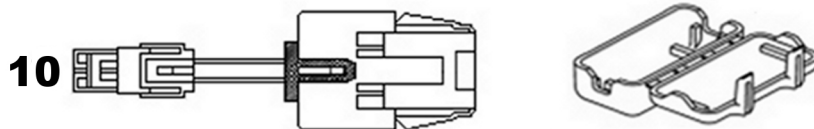
NEW EDGE CONNECTOR SERIES WITH INTERNAL CODING - NOTE THE WALL

PIN 1

NOTE: TO MINIMISE THE NUMBER OF SPARE PARTS THAT NEED TO BE CARRIED, THESE CODED CONNECTORS ARE TO BE REPLACED WITH THEIR UNCODED EQUIVALENTS FOR THE 3, 5 AND 6 WAY CONNECTORS USED ON STAGE 4 CABINETS.



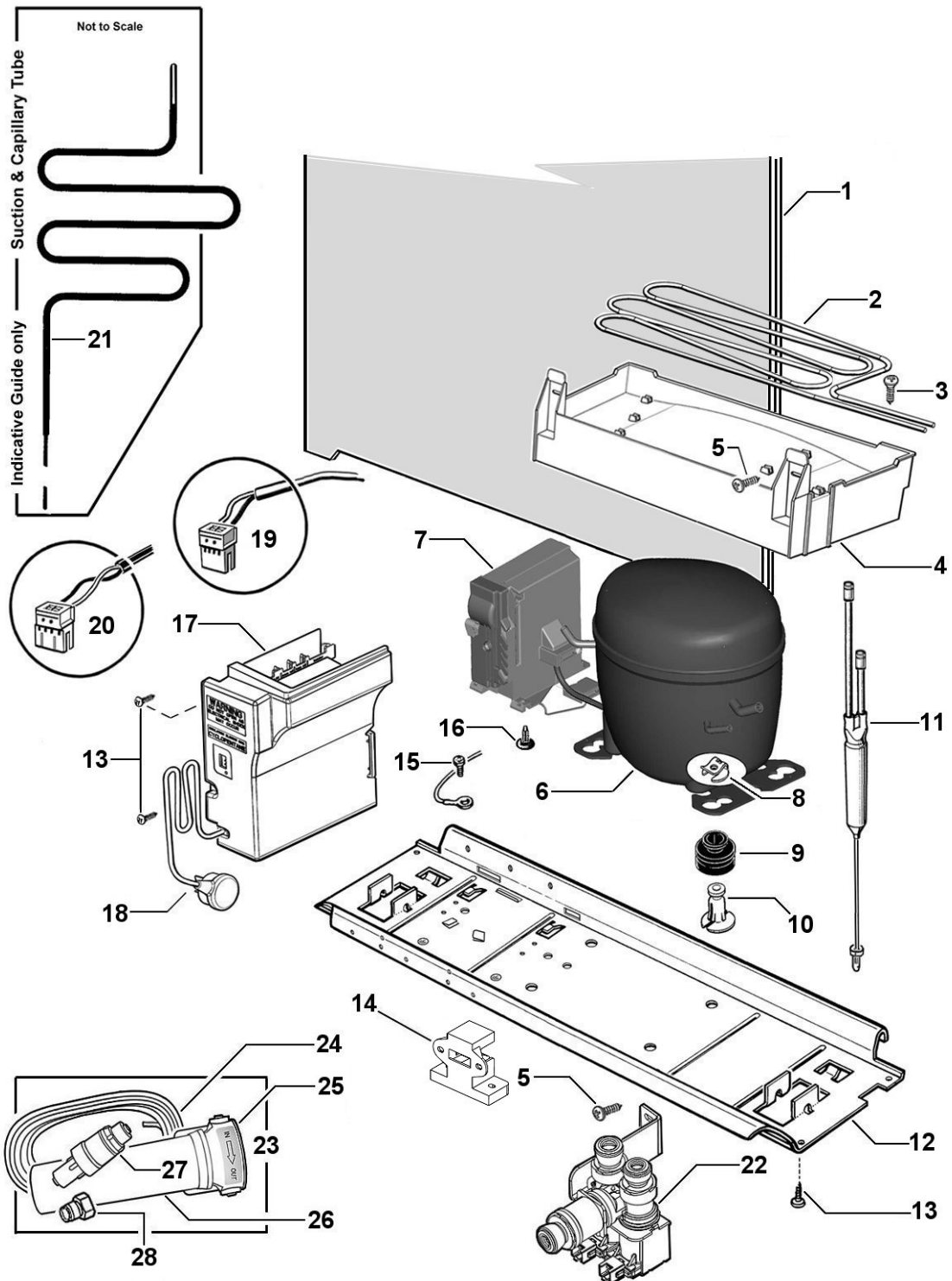
9
HARNESS ADAPTOR - JST REC TO MOLEX PLUG



10
HARNESS ADAPTOR - JST PLUG TO MOLEX REC

REF.	PART NUMBER	PART DESCRIPTION	
1	819607P	TERMINAL SYF-01T PKT 10	26/20 AWG
	819608P	TERMINAL SYF-41T PKT 10	20/16 AWG
2	819609P	PIN/TERM SYM-01T PKT 10	26/20 AWG
	819610P	PIN/TERM SYM-41T PKT 10	20/16 AWG
3	819615	JST SOCKET 2PIN YLR-02V	
	819616	JST SOCKET 3PIN YLR-03V	
	819617	JST SOCKET 4PIN YLR-04V	
	819618	JST SOCKET 6PIN YLR-06VF	
	819619	JST SOCKET 8 PIN YLR-08V	
4	819611	JST PLUG 2PIN YLP-02V	
	819612	JST PLUG 4PIN YLP-04V	
	819613	JST PLUG 6PIN YLP-06V	
	819614	JST PLUG 8PIN YLP-08V	
5	819620	RETAINER 2 WAY YLS-02V	
	819621	RETAINER 3 WAY YLS-03V	
6	881588	CONNECTOR RAST 9290-02-AB01	MAINS CORD
	881589	CONNECTOR RAST 9290-02-BA01	DEFROST HEATER
	881590	CONNECTOR RAST 9290-02-EE01	RUN CAPACITOR
7	881591	CONNECTOR RAST 9290-04-EF02	COMPRESSOR CABLE
8	873251	CONNECTOR RAST 7234-003-500	
	873250	CONNECTOR RAST 7234-004-500	
	881135	CONNECTOR RAST 7234-005-500	
	873247	CONNECTOR RAST 7234-006-500	
	873279	CONNECTOR RAST 7234-008-500	
	873248	CONNECTOR RAST 7234-010-500	
	873243	CONNECTOR RAST 7234-012-500	
9	881136	CONNECTOR RAST 7234-014-500	
	881137	CONNECTOR RAST 7234-017-502	
	820687P	ADAPTOR JST REC TO MOLEX KIT	
	<i>Includes 884412</i>	<i>COVER PLUG MOLEX</i>	
	10	820688P	ADAPTOR JST PLUG TO MOLEX KIT
<i>Includes 884412</i>	<i>COVER PLUG MOLEX</i>		

**NOTE: THE NUMBERS IN THE DESCRIPTION OF THE RAST CONNECTOR DENOTE THE NUMBER OF CONNECTIONS
EXAMPLE: 7234-017-502 =17 WAY CONNECTOR**



REF.	PART NUMBER	PART DESCRIPTION
1	374047P	PANEL BACK & COND 900 SHORT ASSY
2	819598	TUBE EVAP TRAY FORMED H/SHRINK
3	815236P	SCREW #12X1/2 CSK PH TV (PKT 10)
4	820734	TRAY EVAP AS
5	817817P	SCREW #8X12 SP PAN NIB ST TV (PKT 10)
6	207306P	COMPR PKD EMB VEMB11C 220-240V
	<i>Includes</i>	COMPR EMB VEMB11C 220-240V
	<i>Includes 207310</i>	COVER PROTECTOR VEMB11C
	<i>Includes 207313</i>	SCREW INVERTER
	<i>Includes 207265</i>	GROMMET COMPR MTG 26MM (4)
	<i>Includes 820538</i>	POST COMPR MNTG 26MM (4)
	<i>Includes 855270P</i>	CLIP FOOT COMPRESSOR (4)
	<i>Includes 814843P</i>	FILTER LONG TAIL XH9 12GRM
7	207307	INVERTER VEMB11C 230V
8	855270P	CLIP COMPRESSOR FOOT (PKT 4)
9	207265	GROMMET COMPR MTG 26MM
10	820538	POST COMPR MNTG 26MM
11	814843P	FILTER LONG TAIL XH9 12GRM
12	837028	TRAY COMPRESSOR MOUNTING 900
13	817829P	SCREW 8X16 SP PAN NIB TV (PKT 10)
14	880911	BRACKET STABILITY ASSY
15	817828P	SCREW 8-32X8 TY T PAN PH TV (PKT 10)
16	813271	CLIP INVERTER MOUNTING
17	837765P	MOD CNTRL GLTH UT ROHS 220V SVC
18	817838	CABLE SUPPLY EUROPE A/S
19	884242	HARNESS VCC SIGNAL
20	884243	HARNESS VCC POWER
21	821258	TUBE SUCT CAP ASSY 5/16 ROHS
22	820718	VALVE ICE WATER 16 WATT
23	821779	KIT FILTER WATER 600KPA 85PSI
	<i>Includes 836848</i>	CARTRIDGE FILTER WATER
	<i>Includes 836855</i>	HEAD FILTER WATER
	<i>Includes 836857</i>	TUBE FILTER WATER 1/4" OD WHITE 4m
	<i>Includes 821756</i>	VALVE PRESSURE LIMIT 600KPA 85
24	836857	TUBE FILTER WATER 1/4" OD WHITE 4m
25	836855	HEAD FILTER WATER
26	836848	CARTRIDGE FILTER WATER
27	821756	VALVE PRESSURE LIMIT 600KPA 85
28	312197	ADAPTOR TAP-TUBE 1/4" OD X 1/2" BSP

Fisher & Paykel
appliances

customer care™

www.fisherpaykel.com

Fisher & Paykel

Copyright © Fisher & Paykel 2013. All rights reserved.

The product specifications in this booklet apply to the specific products and models described at the date of issue. Under our policy of continuous product improvement, these specifications may change at any time. Only use this manual if the product code on the front matches the product code on the serial label of the product.